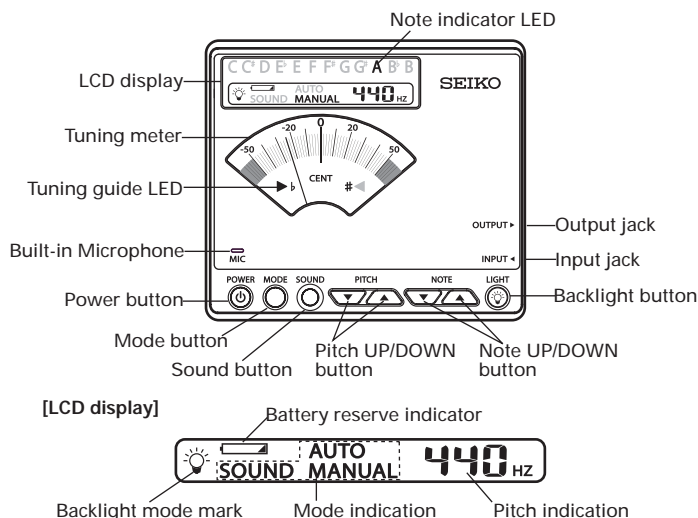


SEIKO CHROMATIC TUNER SAT1100

INSTRUCTION MANUAL

NAMES OF PARTS



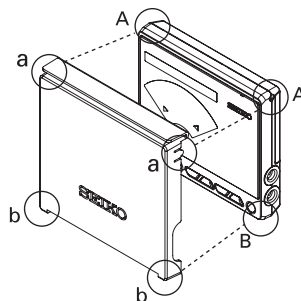
BEFORE USING YOUR TUNER

1. Remove Tuner cover.

First, detach lower corners "b" of Tuner cover from corners "B" of Tuner by releasing respective hooking portions one by one. Then, detach upper corners "a" of Tuner cover from corners "A" of Tuner one by one.

● To attach Tuner cover to Tuner, first, set the protrusions inside upper corners "a" of Tuner cover to the concaves of corners "A" of Tuner one by one, and then, set lower corners "b" of Tuner cover to corners "B" of Tuner one by one.

* Tuner cover also serves as a stand and hanging tool for Tuner. For details, see "CONVENIENT USE OF TUNER COVER" below.



- To attach, first set "a" to "A".
- To detach, first remove "b" from "B".

2. Unpack batteries. Open battery hatch, and insert batteries into the battery compartment, checking that their (+) and (-) terminals are properly aligned.

Note: Batteries included with your tuner are monitor batteries, and their battery life may be shorter than the specified period.

* For battery replacement, see "BATTERY CHANGE" below.

HOW TO USE TUNER

When tuning electric or electronic instruments, or when using the contact microphone sold separately (STM20) for tuning, insert the plug of the instrument or microphone into Input jack.

While a plug is connected with Input jack, the Built-in microphone is disabled.

● Auto mode (AUTO)

When a note is played, Tuner automatically identifies it, and indicates the note closest to it on LCD display. It also indicates discrepancy between the input note and the note shown on display by Tuning meter and Tuning guide LED.

1. Press Power button to turn on Tuner.
2. Press Mode button to select "AUTO" on LCD display.
3. Play a note on the instrument.

* When tuning is made through the Built-in microphone, choose a quiet environment, and bring instrument close to Tuner.

4. Tune instrument so that the note you wish to tune to is indicated on LCD display.
5. Tune instrument further until the pointer of Tuning meter indicates "0".

* When discrepancy between the input note and the note indicated by the Note indicator LED is within the range of ± 3 cents, both Tuning guide LEDs remain lit up.

● Manual mode (MANUAL)

Set note you wish to tune to, and then, play a note. Tuner indicates discrepancy between the input note and the note you have set by Tuning meter and Tuning guide LED.

1. Press Power button to turn on Tuner.
2. Press Mode button to select "MANUAL" on LCD display.
3. Press Note UP (\blacktriangle)/DOWN (\blacktriangledown) button to choose the note you wish to tune to from notes indicated on LCD display (C ~ B).
4. Play a note on instrument.

* When tuning is made through the Built-in microphone, choose a quiet environment, and bring instrument close to Tuner.

5. Tune instrument until the pointer of Tuning meter indicates "0".

* When discrepancy between the input note and the note indicated by note indicator LED is within range of ± 3 cents, both Tuning guide LEDs remain lit up.